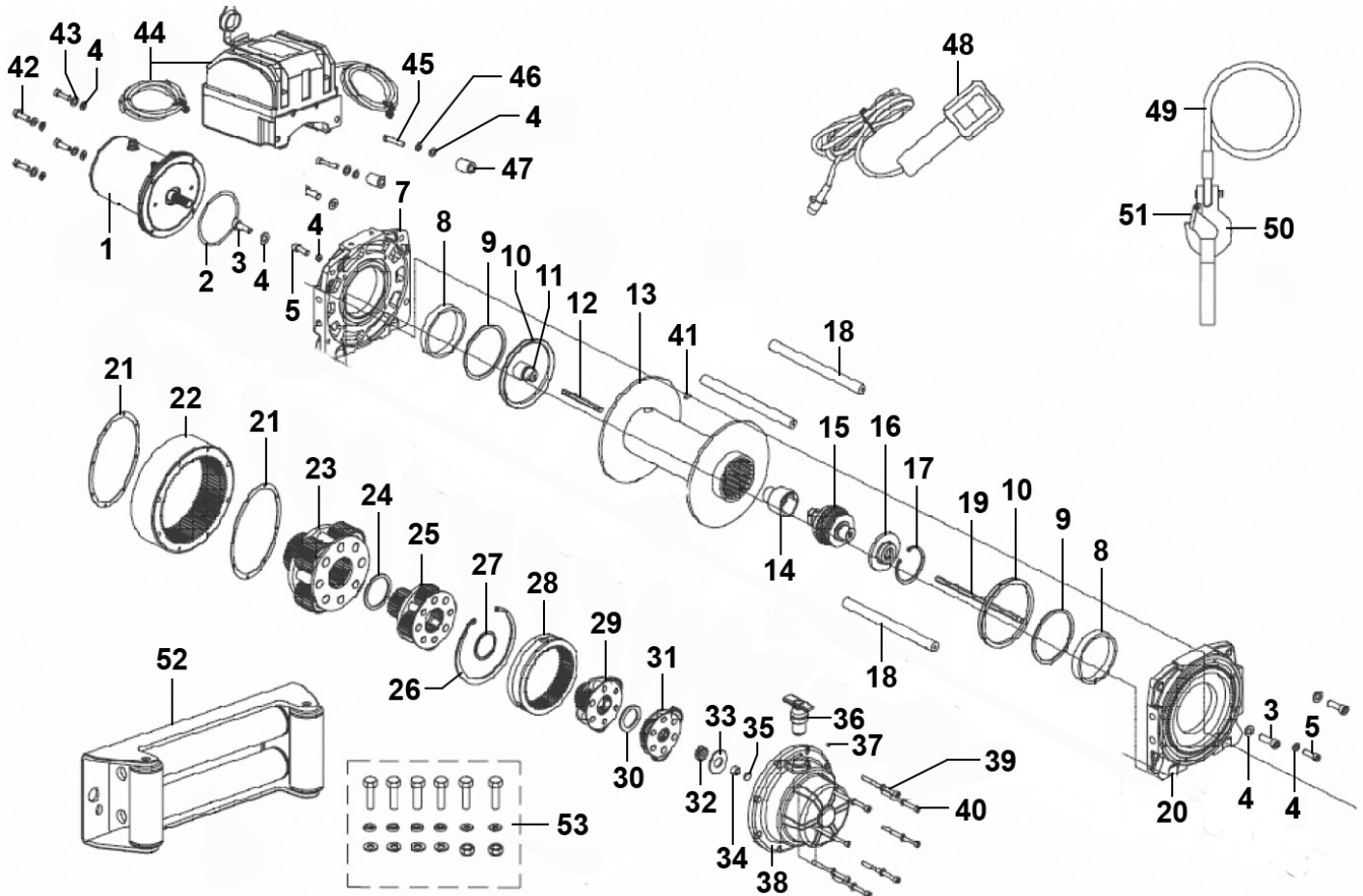




Parts Information:  
**Recovery Winch 8180kg (18000lb) Line Pull**  
**12V Industrial**  
**Model No: RW8180**



Item	Part No.	Description
1	RW8180.01	Motor Assembly (Internal 12v 2.3kw)
2	RW8180.02	O-Ring, (Ex: 131.51 In: 126.27 Cs: 2.62)
3	RW8180.03	Hex Socket Cap Screw (M10x30)
4	SWM8.S	Spring Washer M8 Zinc
5	SCB830.S	Socket Cap Bolt M8 x 30mm
7	RW8180.07	Frame For Motor
8	RW8180.08	Sliding Bearing (i)
9	RW8180.09	Nylon Washer
10	RW8180.10	Seal Ring
11	RW8180.11	Motor-Connector
12	RW8180.12	Hex Shaft (i)
13	RW8180.13	Drum
14	RW8180.14	Brake-Connector
15	RW8180.15	Brake Assembly
16	RW8180.16	Gear Wheel
17	RW8180.17	Internal Circlip 72.0mm OD.
18	RW8180.18	Clutch Bar

Item	Part No.	Description
19	RW8180.19	Hex Shaft (ii)
20	RW8180.20	Gearbox Frame
21	RW8180.21	Seal (ii)
22	RW8180.22	Stage Gear Ring (4th)
23	RW8180.23	Stage Planetary Gear Ass'y (4th)
24	RW8180.24	Reduce Washer (Rubber)
25	RW8180.25	Stage Planetary Gear Ass'y (3rd)
26	RW8180.26	Internal Circlip 151.7mm OD.
27	RW8180.27	Reduce Washer (Rubber)
28	RW8180.28	Stage Gear Ring (3rd)
29	RW8180.29	Stage Planetary Gear Ass'y (2nd)
30	RW8180.30	Reduce Washer (Rubber)
31	RW8180.31	Stage Planetary Gear Ass'y (1st)
32	RW8180.32	Stage Gear (1st)
33	RW8180.33	Reduce Washer (Rubber)
34	RW8180.34	Brass Bush
35	RW8180.35	Reduce Washer Cover

**NOTE:** It is our policy to continually improve products and as such we reserve the right to alter data, specifications and component parts without prior notice. There may be alternative versions of this product, please contact us should you require this information.

**IMPORTANT:** No liability is accepted for incorrect use of product. Spare parts must be fitted by a competent person

**WARRANTY:** Guarantee is 12 months from purchase date, proof of which will be required for any claim.

Sealey Group, Kempson Way, Suffolk Business Park, Bury St Edmunds, Suffolk. IP32 7AR



01284 757500



01284 703534



sales@sealey.co.uk



www.sealey.co.uk



Parts Information:  
**Recovery Winch 8180kg (18000lb) Line Pull  
12V Industrial  
Model No: RW8180**

Item	Part No.	Description
36	RW8180.36	Clutch
37	GSM48.S	Grub Screw M4x8 (Single)
38	RW8180.38	Gearbox Body
39	RW8180.39	Spring Washer
40	SCB675.S	Socket Cap Bolt M6 x 75mm
41	GSM88.S	Grub Screw M8x8
42	SCB825.S	Socket Cap Bolt M8 x 25mm
43	RW8180.43	Flat Washer M8
44	RW8180.44	Control Box

Item	Part No.	Description
45	SCB625.S	Socket Cap Bolt M6 x 25mm
46	RW8180.46	Flat Washer
47	RW8180.47	Washer
48	RW8180.48	Remote Control
49	RW8180.WR	Wire Rope (Ø13mm x 25m) For RW8180
50	WH.04	Winch Hook 1/2" (For RW8180)
51	RW8180.51	Hand Saver Starp
52	RW8180.52	Fairlead Roller
53	RW8180.53	Hardware Kit

**NOTE:** It is our policy to continually improve products and as such we reserve the right to alter data, specifications and component parts without prior notice. There may be alternative versions of this product, please contact us should you require this information.

**IMPORTANT:** No liability is accepted for incorrect use of product. Spare parts must be fitted by a competent person

**WARRANTY:** Guarantee is 12 months from purchase date, proof of which will be required for any claim.

**Sealey Group**, Kempson Way, Suffolk Business Park, Bury St Edmunds, Suffolk. IP32 7AR



01284 757500



01284 703534



sales@sealey.co.uk



www.sealey.co.uk